



# Lake Minnetonka District Fall Camporee 2015 Survivor Challenge

## Informational Packet

**September 25-27, 2015**

Oaks on the River Campground  
Big Lake, Minnesota



The Lake Minnetonka Tribe will gather this fall to camp on the shores of the Mississippi and compete for the title of 'Survivor Challenge Champion'. Patrols will *Outwit, Outplay, and Outlast* and face challenges including fire building, wilderness survival, orienteering, and games culminating in the "**GROUP HURL**" where patrols score points for distance and accuracy when hurling coconuts. The champions will be rewarded at the Tribal Council on Saturday night. We look forward to having you join us Friday, Sep. 25 - Sunday, Sep. 27, 2015.



Oaks on the River Campground is a 'five star', 'group-oriented' campground surrounded by over 150 acres of wooded, old growth forest and a beautiful sandy beach on the Mississippi River. There is plenty of open space for fun and activities.

Units are welcome to camp Friday and Sunday nights or come for the day only on Saturday.

### Cost Per Person -

**\$10 Saturday Activities** - come for the day, no overnight

**\$10 Overnight + Saturday Activities**  
Overnight Tent Camping on Friday and/ or Saturday. Includes Saturday Activities

This will be a fantastic event you won't want to miss!

- **Survivor Challenge Champion**
- **Fire Building**
- **Wilderness Survival**
- **Orienteering**
- **Field Games**
- **Group Hurl**
- **Tribal Council on Saturday Night**
- **Camporee Patch**
- **Service Project**
- **Webelos Activities**
- **Merit Badges**
- **Catapults**
- **Trebuchets**



[www.LMDbsa.org](http://www.LMDbsa.org)

### Contacts:

Daron Meyer

[Daron.Meyer@lmdbsa.org](mailto:Daron.Meyer@lmdbsa.org)

### Invite your Webelos!

Many thanks to our Host Units T424, T426, T430, T702, and C165, Brian Klein, David Olson, Harry Fuchs and staff for working on this Camporee

\* Scouts may earn partial credit for the merit badges offered at camporee.

# Oaks on the River Campground

## Big Lake, Minnesota

### Camporee Description

The Lake Minnetonka Tribe will gather this fall to camp on the shores of the Mississippi and compete for the title of 'Survivor Challenge Champion'. Patrols will Outwit, Outplay, and Outlast and face challenges including fire building, wilderness survival, orienteering, and games culminating in the "GROUP HURL" where patrols score points for distance and accuracy when hurling coconuts. The champions will be rewarded at the tribal council on Saturday night. We look forward to having you join us Friday, Sep. 25 - Sunday, Sep. 27, 2015.

Oaks on the River Campground is a 'five star', 'group-oriented' campground surrounded by over 150 acres of wooded, old growth forest and a beautiful sandy beach on the Mississippi River. There is plenty of open space for fun and activities.

Units are welcome to camp Friday and Saturday nights or come for the day only on Saturday.

Merit Badge opportunities include Pioneering, Orienteering, and Wilderness Survival. Please have your Scouts bring a filled out blue card.

Webelos can participate in the Tribal Council on Saturday night, Saturday activities and troop competitions, including the GROUP HURL.

**Great event for LDS units . . .** come out for the day on Saturday

### Location and Directions

**Oaks on the River Campground** – 16722 County Road 11 SE, Big Lake, MN 55309. Please see the maps and directions located on the camporee resources page [http://www.lmdbsa.org/lmd\\_024.htm](http://www.lmdbsa.org/lmd_024.htm) .

### Cost Per Person

- \$10 **Saturday Activities only** (youth and adult) Come for the day, no overnight.
- \$10 **Overnight + Saturday Activities** (youth and adult) Overnight Tent Camping on Friday and/ or Saturday. Includes Saturday Activities

## General Information

<b>Attendance</b>	All Lake Minnetonka Scouts, Venturers, and Webelos and their parents are invited to participate.
<b>Check-in</b>	<p>Friday evening or Saturday morning. Pre-registration is mandatory through the online registration process. No on-site registration is available.</p> <p>One adult leader (i.e., Scoutmaster) and one youth leader (i.e., SPL) should check-in your entire unit at one time.</p> <p><b>At check-in, you will be asked to provide:</b></p> <ul style="list-style-type: none"><li>○ <b>The Unit Attendance Form</b> (attached to this Informational Packet) with the names of all Scouts and adults planning to participate in the program and your patrols.</li><li>○ <b>All medical forms</b> for each Scout must be kept on-site, secure, and accessible.</li><li>○ <b>A list and time of visitors</b> (non-Scouters) attending camp.</li><li>○ <b>The time you plan to check out</b> so we can inspect your camp.</li></ul> <p>Once you have been checked-in, a camp host will take you to your designated camping area.</p> <p>Every effort will be made to assign your unit to a campsite appropriate for the size of your unit. We ask that you set up your campsite in the area designated for you and that you respect those areas marked as restricted. We have planned the locations of our program areas to minimize the amount of traffic through your camping areas and to avoid having distractions too near to the program areas.</p>
<b>Activities Consent</b>	Please complete the Activities Consent Form for all non-scouts attending camporee. The form is provided as a download on the Camporee Resource webpage at <a href="http://www.lmdbsa.org/lmd_024.htm">http://www.lmdbsa.org/lmd_024.htm</a>
<b>Camp Fees</b>	Included in the base fee.
<b>Parking Fees</b>	Included in the base fee.
<b>Meals</b>	Bring your own food and cooking equipment for all meals. Camping areas have fire rings. Water is available at each campsite.
<b>ONLINE Registration</b>	<a href="http://www.lmdbsa.org/lmd_024.htm">http://www.lmdbsa.org/lmd_024.htm</a>
<b>Deadline</b>	September 22, 2015 at 11:55pm

<b>Merit Badges</b>	Scouts can earn <u>partial credit</u> for the Pioneering, Orienteering, and Wilderness Survival merit badges. Please have your Scouts bring a filled out blue card. <ol style="list-style-type: none"> <li>1. Print the <b>Pioneering Merit Badge</b> worksheet <a href="http://www.lmdbsa.org/bindoc2015/Pioneering.pdf">http://www.lmdbsa.org/bindoc2015/Pioneering.pdf</a></li> <li>2. Print the <b>Orienteering Merit Badge</b> worksheet <a href="http://www.lmdbsa.org/bindoc2015/Pioneering.pdf">http://www.lmdbsa.org/bindoc2015/Pioneering.pdf</a></li> <li>3. Print the <b>Wilderness Survival Merit Badge</b> worksheet <a href="http://www.lmdbsa.org/bindoc2015/Wilderness-Survival.pdf">http://www.lmdbsa.org/bindoc2015/Wilderness-Survival.pdf</a></li> </ol>
<b>Activities Offered</b>	Tribal Council on Saturday night, various Troop and Tribal Challenges, Including, but not limited to the Survival Cook-off Competition, best campsite, and the GROUP HURL.
<b>Survival Cook-off Competition</b>	We are looking for the best Survival Cook-off by a tribe. Additional information, rules, and the 'judges' form is attached to this Informational Packet and is available for download on the Camporee Resource webpage <a href="http://www.lmdbsa.org/lmd_024.htm">http://www.lmdbsa.org/lmd_024.htm</a> . There will be guest judges on hand to grade not only your plate presentation, but also the Scouts' presentation.
<b>Tribal Council (campfire program)</b>	Your troop / crew / team is encouraged to do a skit or song at the Saturday night Tribal Council. Please have your skit approved by your Scoutmaster or Advisor.
<b>1<sup>st</sup> Aid</b>	Please have the proper medical forms and permission slips handy for every Scout when you check in. The medical form is found on the camporee resources page <a href="http://www.lmdbsa.org/lmd_024.htm">http://www.lmdbsa.org/lmd_024.htm</a> .
<b>Boy Scout Medical</b>	The BSA medical form is available on the camporee registration page of the website. <a href="http://www.lmdbsa.org/lmd_024.htm">http://www.lmdbsa.org/lmd_024.htm</a>
<b>Webelos Medical</b>	The BSA medical form is available on the camporee registration page of the website <a href="http://www.lmdbsa.org/lmd_024.htm">http://www.lmdbsa.org/lmd_024.htm</a>
<b>Camp Fires</b>	Campfires are allowed ONLY in the camp fire rings. Wood may be purchased from the campground at \$7.00 per tote. However, you are free to use the dead fall for campfires. There is a lot of dead fall so there should be no need to purchase firewood. You will need saws and axes. Please follow all BSA rules
<b>Water</b>	There is a water spigot at each campsite. There are also several frost hydrants that are on year around.
<b>Uniforms</b>	Scouts and adult leaders should be in field uniforms (class A) for Saturday events and activities and when traveling back and forth from campsites. Keep in mind that we are representing the BSA and we are expected to dress sharp.

- Bring**
1. Bring your tents, sleeping bag, cookware, stoves, plates, cups, silverware, walking shoes, work gloves, and dress for the weather.
  2. Bring your recipes, ingredients, and any cooking equipment for the outdoor dessert cooking competition. See 'Outdoor Cooking Dessert Cooking Competition' above for additional information.
- Parking**
- Parking for your vehicle and trailer is available. Trailers may be parked at your campsite, but vehicles must be parked in one of the parking areas. See the 'Map of Oaks on the River' for parking locations (on the camporee resources page):  
[http://www.lmdbsa.org/lmd\\_024.htm](http://www.lmdbsa.org/lmd_024.htm)
- Food Shelf Project**
- The Order of the Arrow is collecting non-perishable food to be transported to a local food shelf. Please turn your food items in at check-in.
- Service Project**
- There will be a short service project for you to complete while at Camporee.
- Campground**
- There will be other people using the campgrounds and facilities. Please be respectful of the other campers and please try to stay in the area assigned to Lake Minnetonka District.
- Camporee Patch**
- Attendees will receive a Fall Camporee 2015 patch shown below. In the event that we run out of patches, first priority will be given to the members of Lake Minnetonka District.



## Camporee Policies

The following rules were made to help us have a successful and safe camping experience. It is the responsibility of the adults in charge to see that Scouts know and understand these rules. Anyone violating them may be asked to leave the event.

**Behavior: Scout Oath and Scout Law – applies to all Scouts and Scouters.** Please emphasize the “good sport” and “do your best” aspects of Scouting. First and foremost, we’re here to have fun.

**Vehicles:** Speed limit is 10 mph. No passengers in back of truck or trailer. Vehicles are limited to main roads and parking areas only. For information regarding parking, please see the section above titled ‘Parking’.

**Firearms:** Personal firearms, ammunition (live or expended), explosives, fireworks and toy weaponry are prohibited.

**Knives:** NO straight-bladed knives are allowed in camp.

**Lights out:** Scouts are not allowed out of their site after lights-out with the exception of to-and-from the latrines. Please respect others during lights-out. Scouters are asked to bring roaming Scouts to the headquarters after lights-out.

**Radios:** No radios. Use of electronics should be kept to a minimum.

**Registration of Units Outside of Lake Minnetonka District:** Registration is open to units outside Lake Minnetonka District. Registration closes for all units on September, 22, 2015 at 11:55pm.

**Refund Policy:** Refunds will be made prior to registration closing and at the discretion of the event chairman.

## Schedule of Events

### FRIDAY SEPT 25

- 5:00 Gates Open  
Set up Campsites  
8:30 SM & SPL Meeting / Cracker Barrel at Headquarters

### SATURDAY SEPT 26

- 7:00 Reveille  
7:15 Breakfast
- 8:00 Flags & Opening Announcements  
8:30 Morning Challenges:
- Pioneering Challenge
  - Fire Building Challenge
  - Orienteering Challenge
  - Killer Spider Web Challenge
  - Puzzle Challenge
- 11:30 Lunch  
1:00 The Big Hurl Setup and Practice Session  
2:30 THE BIG HURL CHALLENGE  
4:00 Dinner  
6:30 Survivor Cook-off Judging  
7:30 Tribal Council (campfire program)  
8:30 Retire Colors/ Taps  
9:00 Troop Reflection Time

### SUNDAY SEPT 27

- 7:00 Reveille  
7:15 Breakfast
- 8:00 Troop Reflection / Chapel Service in Troop Campsites  
9:00 Clean up  
10:30 Camp Closes

### **Registration online:**

[http://www.lmdbsa.org/lmd\\_024.htm](http://www.lmdbsa.org/lmd_024.htm)

### **Send a Scout in Need to Camporee**

Scholarships are available for Scout families in need. Unit leaders, please contact Ben Coder [bcoder@northernstarbsa.org](mailto:bcoder@northernstarbsa.org)  
Your requests will remain confidential.

**REMEMBER THE BUDDY SYSTEM AND BE SAFE AT ALL TIMES.  
HAVE FUN! "SCOUTING IS A GAME WITH A PURPOSE."**

## Group Hurl - Contest Rules & Directions

The goal of this event is a fun and safe competition to throw a “coconut”. The size of the coconut will be round with a circumference of approximately 28” and a weight of about 1 pound. We will stress safety first in our competitions so any actions or activities deemed unsafe by our judges will be halted immediately.

### GROUND RULES

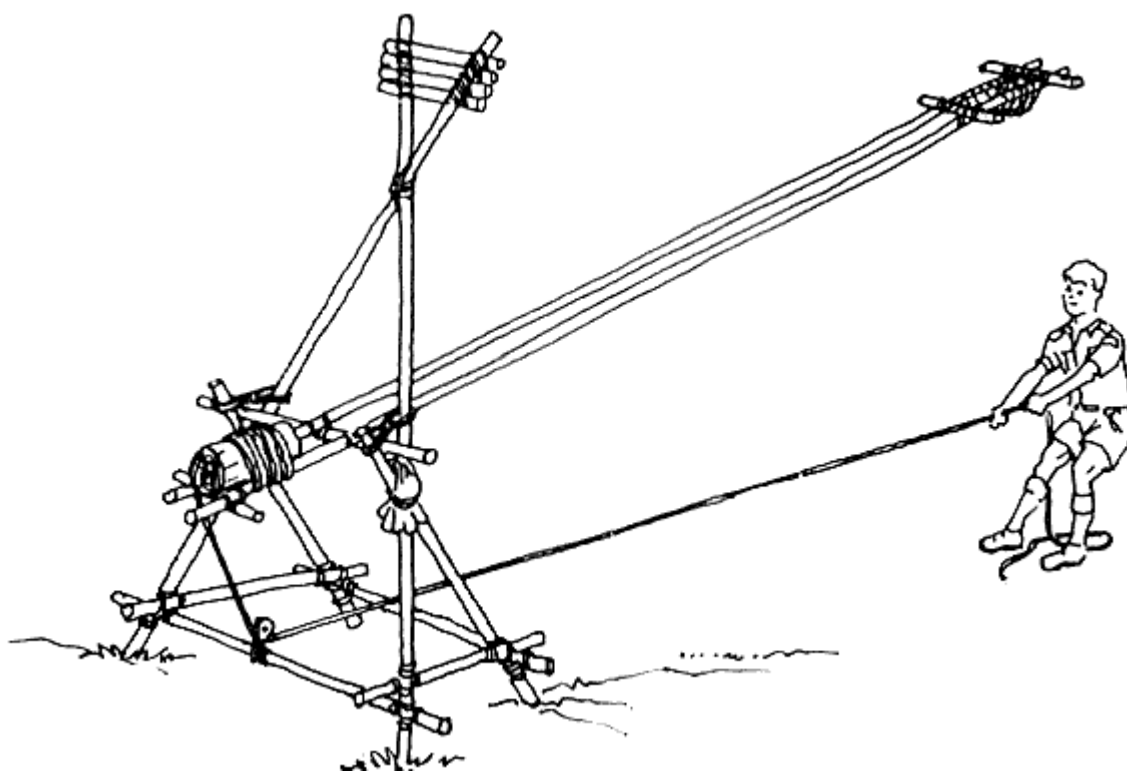
- Your hurling device should be SCOUT POWERED. No rope torsion or obvious counterweights will be allowed on your device.
- Materials allowed are wood and rope. Exception is made for your coconut holder or sling which can include cloth, plastic, duct tape, etc.
- All materials must be inspected by a contest judge prior to beginning assembly.
- No metal is allowed in your hurling device. This means no metal pivot bars, no screws, no bolts, etc
- All devices must be carried in, assembled, powered and fired by Scout youth. Each patrol (tribe) of 6-10 youth must carry the material from the staging area to the assembly area on their own.
- Distance from the staging area to the assembly area is approximately 50 yards. Keep this in mind when designing your device since your team will be carrying the materials a fair distance.
- Patrols will be given a specific period of time (approximately 90 minutes) to assemble their hurling device and perform test throws prior to the official hurl.
- Construction is NOT a speed event. We will stress safety throughout this event.
- Points will be awarded for DISTANCE and ACCURACY.
- There will also be an award for the best design. (Rustic poles & lashings are encouraged).
- You MAY use dimensional lumber that is pre-cut or drilled. However everything must be assembled on site by the youth participating in the contest.
- All devices must be inspected by judges prior to hurling in order to assure safety.
- All throws must be made downrange in accordance with the range-masters instructions
- Scoring for distance & accuracy must be fired from your device. Specifically, the coconut cannot be thrown, kicked or propelled with anything except the hurling device you construct.
- Scoring for distance will be from where the coconut first hits the ground, not from where it eventually rolls after landing.
- All decisions of the judges are final and cannot be appealed.

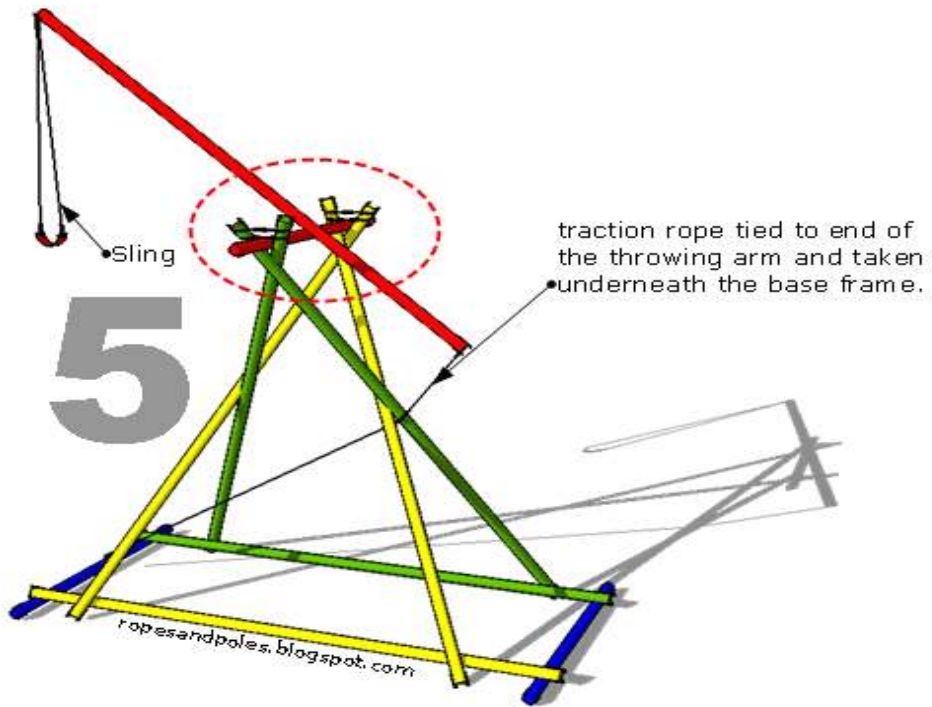
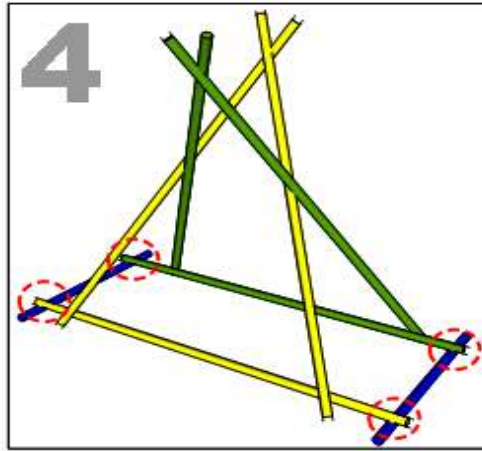
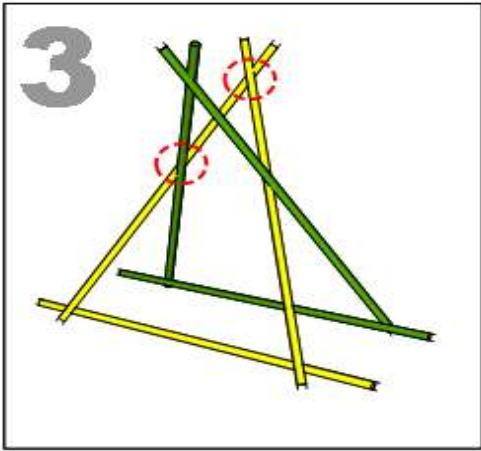
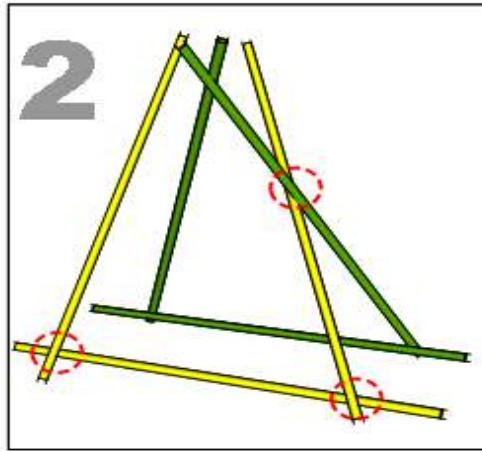
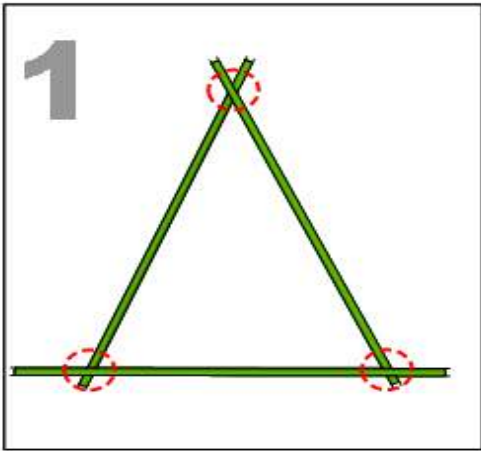


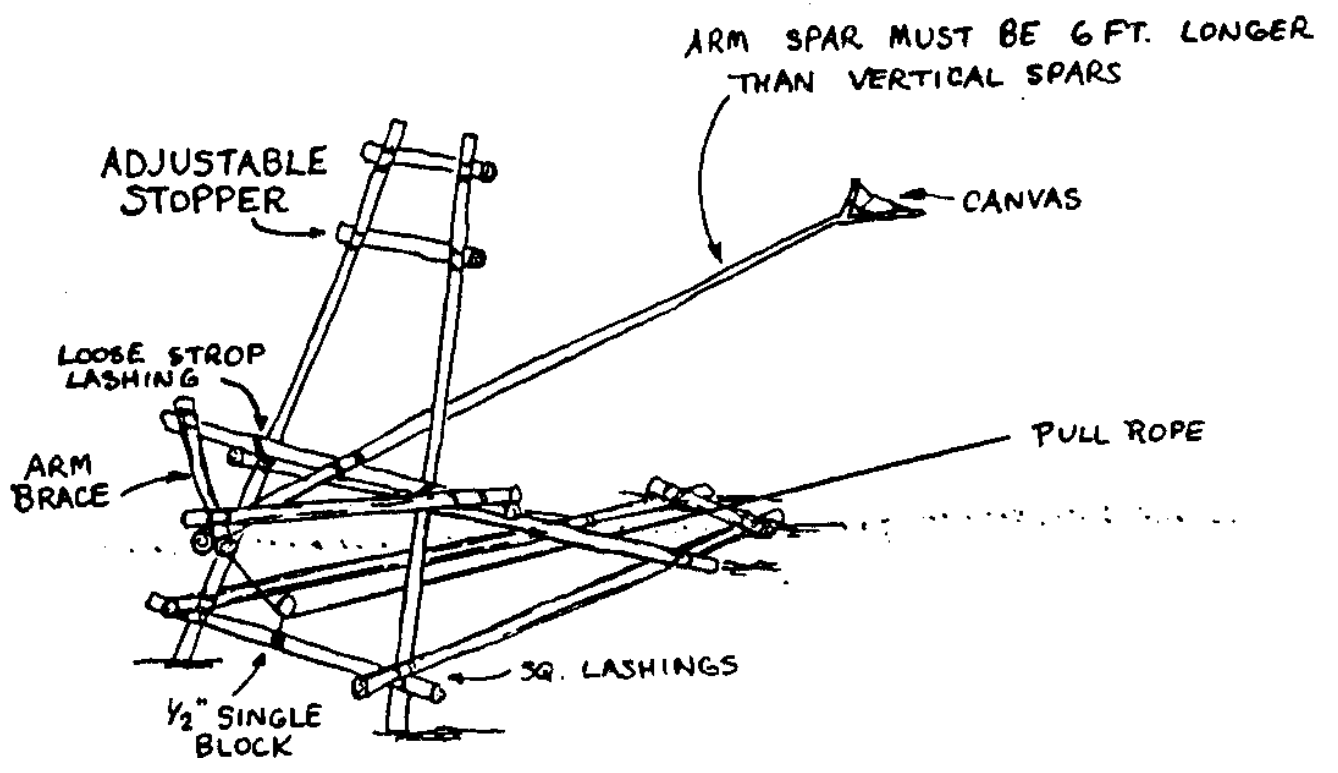
## IDEAS FOR SAMPLE HURLING DEVICES

Please see below for IDEAS for your device. You are encouraged to be creative and work within the rules of the contest.

Please remember, all items must be inspected prior to start of construction to ensure consistency of materials and safety. Also, note that for the LMD Group Hurl all devices must strictly adhere to the rules including no metal and no torsion. All devices are youth assembled, and scout powered. Patrols (Tribes) of 6-10 youth are encouraged to work together as a team to construct and fire their group hurl device. More scouts pulling means more force for your device!







# Evaluation for the Youth to turn in at checkout

Question 1: Please evaluate. (Circle one)

	Much better Than expected	somewhat better than expected	Expected	somewhat worse Than expected	Worse then expected
Info available before event	0	0	0	0	0
Program	0	0	0	0	0
Facility	0	0	0	0	0

Comments

---

**Question 2:** Things we liked about this camporee

---



---

**Question 3:** Things we didn't like about this camporee

---



---

**Questions 4:** If your unit was a **host troop/unit** please rate your experience? (Circle one)

	Much better Than expected	somewhat better than expected	Expected	somewhat worse Than expected	Worse then expected
Meetings and Info available <b>before</b> event	0	0	0	0	0
Tasks assigned to us	0	0	0	0	0
Expectations of our unit the weekend of the event	0	0	0	0	0
Communications from district	0	0	0	0	0

What could be done to enhance the Host Troop experience?

---

**Question 5:** Do you have any ideas for future camporees?

---



---

**Please turn in at checkout. Thanks for your comments.**



# Lake Minnetonka District

## Fall Camporee – September 25-27, 2015

### Unit Attendance Form – Registration is available online.

Please bring this form AND your health forms with you to the event.

**DISTRICT** (Circle one): Lake Minnetonka District Other District \_\_\_\_\_

**UNIT** (Circle one): Troop Crew Team **NUMBER:** \_\_\_\_\_

**Name** (Scoutmaster/Crew Advisor/Team Advisor): \_\_\_\_\_

**Name** (SPL/Crew President/Team Captain): \_\_\_\_\_

**Name** (of adult leader onsite at all times): \_\_\_\_\_

**Cell Phone:** (of adult leader on site at all times): \_\_\_\_\_

**Where will medical forms be kept while at camp?** \_\_\_\_\_

**Note: Health forms are required.** Please bring one for every person attending the camporee. If you do not have forms, you may print them at [http://www.lakeminnetonkadistrict.org/lmd\\_024.htm](http://www.lakeminnetonkadistrict.org/lmd_024.htm). Do not mail in the forms. Bring the health forms with you to check-in and review the forms with the staff. Health forms are to be stored with the unit.

<b>Scout Youth + Adult Participants</b>	<b>Webelos + Adult Participants</b>
Enter Total # Attending:	Enter Total # Attending:

### Youth Attending - First and Last Name Circle W if the Scout is a Webelos - (Please type or print)

1	W	12	W
2	W	13	W
3	W	14	W
4	W	15	W
5	W	16	W
6	W	17	W
7	W	18	W
8	W	19	W
9	W	20	W
10	W	21	W
11	W	22	W

### Adults Attending - First and Last Name (Please type or print)

1	4
2	5
3	6

**Webelos Parents** - If you registered on your own, enter the names of your Webelos above and complete the questions below:

**My son(s) will be camping with Unit** \_\_\_\_\_ **My son(s) is/are registered with Pack** \_\_\_\_\_

**Name** (of Webelos parent or guardian is encouraged to attend): \_\_\_\_\_

**Cell Phone Number** (of parent or guardian on-site at all times): \_\_\_\_\_

**Where will medical forms be kept while at camp?** \_\_\_\_\_

# Survivor Cook-off Competition

## Rules

Must be prepared on-site Saturday, October 26, 2015. Participants can use any outdoor preparation method. The meal should contain elements of a "Survivor" theme and should incorporate a protein and vegetable. Be creative! Points will be awarded for preparation, taste, presentation and overall "dining" experience. Outrageousness and team spirit will definitely impact the judges' perception.

### Cooking Competition Grading Criteria

#### I. Plate Presentation

A. Overall Taste (flavor) \_\_\_\_\_/25

B. Texture\* \_\_\_\_\_/20

C. Presentation\*\* \_\_\_\_\_/20

Total \_\_\_\_\_/65

#### II. Scout Presentation

A. Clean Hands/Fingernails \_\_\_\_\_/5

B. Pride/Scout Spirit\*\*\* \_\_\_\_\_/5

C. Recipes and oral presentation \_\_\_\_\_/10  
(Neat & easy to read or presentation is easy to follow)

D. Uniform \*\*\*\* \_\_\_\_\_/15

Total \_\_\_\_\_/35

Grand Total \_\_\_\_\_/100

Comments:

\***Texture** – mouth feel, is it mushy when it should be firm.

\*\***Presentation** – Eye appeal. Are there a variety of different colors or is there one color that overpowers all the other colors on the plate? Does it look appetizing?

\*\*\***Pride/Scout Spirit** – Enthusiasm, excitement, and positive, helpful attitude

\*\*\*\***Uniform** – 2 to 3 scouts in Class A uniform (uniform tucked in neatly, CLEAN, neckerchief or bolo tie), 1 Scout may be in Survivor theme based costuming to reflect their meal.

## Camporee Map

Below is a map of the campground. An updated map with event locations and other descriptions will be posted to the Camporee Resource page as an update. Please check here [http://www.lmdbsa.org/lmd\\_024.htm](http://www.lmdbsa.org/lmd_024.htm) .

### Oaks on the River Campground Site Map

1 Unit = 8' by 20'

All Electric are dual 20 Amp services

